



WiSA™ USB Transmitter

For use with WiSA™ Ready TV's

PRODUCT APPLICATION BRIEF

Superior Sound Made Simple

The WiSA™ USB Wireless Audio Transmitter that is sold by Summit Wireless for use with WiSA™ Ready platforms is a wireless multichannel audio receive and transmit solution that removes the need for expensive A/V receivers and vastly simplifies the home theater setup experience. When paired with WiSA™ Certified speakers and a WiSA™ Ready TV with audio decode capabilities, the USB Transmitter becomes a truly plug and play home theater solution capable of up to 8 channels of 24-bit PCM audio at 48kHz and 96kHz sampling rates with fixed, ultra-low latency. The WiSA™ USB Transmitter is robust and designed to perform well in congested RF environments, virtually eliminating audio dropouts, clicks, and pops.

Advantages of USB Audio and Control Interfaces

The WiSA™ USB Transmitter provides a USB audio/control interface that allows for I2C control and I2S audio input. The advantages with a USB wireless transmit solution include small size, low cost, and simplicity. By connecting the WiSA USB Transmitter to a USB port on a TV with an integrated WiSA™ Ready user interface, multichannel audio support is achieved with minimal development time and without incurring additional hardware costs.



Product photo for a WiSA™ USB Transmitter

Feature set

Table 1. WiSA™ USB Transmitter Features

Parameter	Feature
System Configuration	Supports both pre-configured and user defined installations
MyZone™ Optimizations	Supports customizable audio sweet spot location with a graphical user interface
Home Theater	Supports 2.0 – 7.1, and Atmos height speakers
WiSA™ Compatibility	Supports the WiSA interoperability standard
Target Product Category	Supplemental TV sound
Advantages	Low latency, high-fidelity with exceptional ease of use

The decoded audio source sends PCM data to the USB port with the attached WiSA™ USB Transmitter.
The audio is then transmitted over-the-air to WiSA™ Certified speakers.

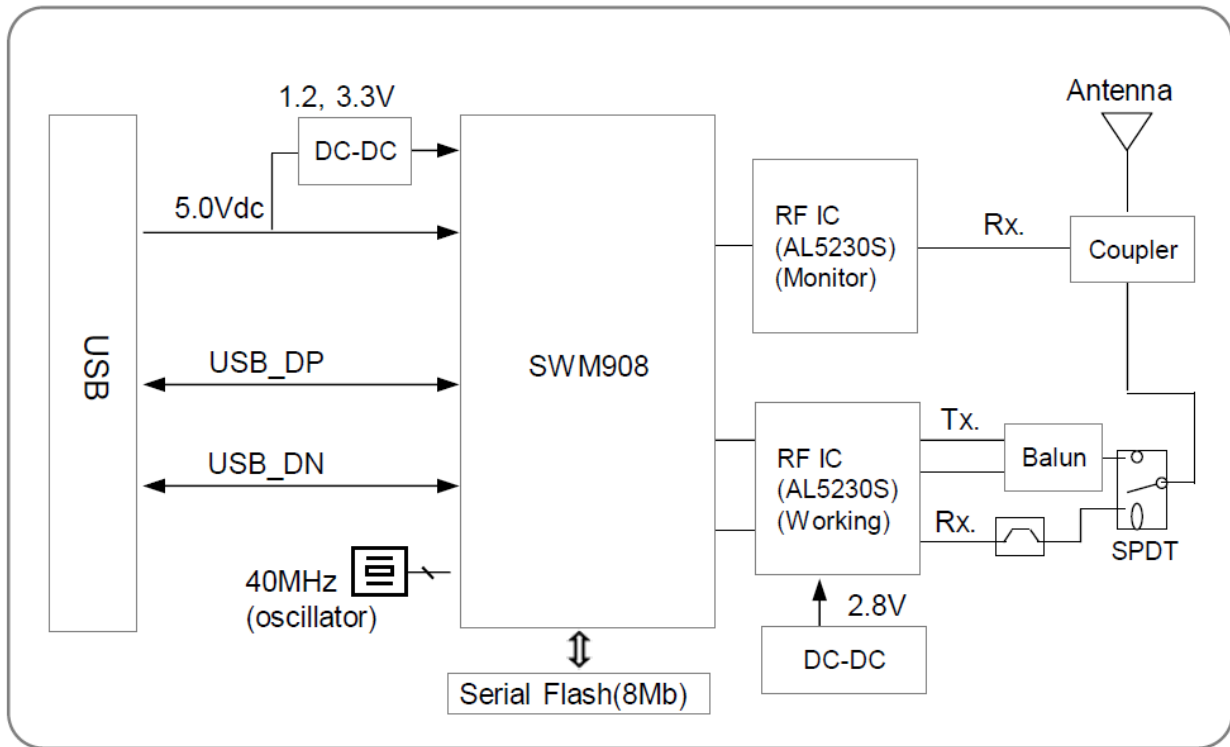
Summit USB Interface Specs

PARAMETER	PERFORMANCE
USB Device Type	Audio Device Class 2.0
Power Consumption	Max: 440 mA Typical: 400 mA
Power Supply	Input power: +5.0V (VDD) Supply voltage: +5.0V ± 0.25V (5%)
Audio Input Format	Up to 8 channels; 24-bit audio at 44.1 kHz, 48 kHz, 96 kHz
Latency (USB source to RX output)	7.9ms @ 48kHz, 3.4ms@ 96kHz
Inter-channel Delay Error	±1 μs (Speaker-to-speaker timing skew)
Transmit Distance	Designed for use in 9 x 9 m (30' x 30') rooms
Transmit Power	Typical: +8dBm
Ambient Temperature	0 – 50 °C
Operating Frequency	5170-5330Mhz; 5490-5710Mhz; 5735-5835Mhz



Summit Wireless Technologies, Inc.
8875 NE Von Neumann Dr., Suite 100
Hillsboro, OR 97006
Phone 503 615-7700
Fax 503 615-4232
Email info@summitsemi.com

©2014 - 2019 Summit Wireless Technologies, Inc. Specifications are subject to change. All brand and product names are trademarks of their respective companies.



WiSA™ USB TX Schematic Diagram

Ordering Information

SKU	DESCRIPTION
444-2269	WiSA USB Transmitter and USB ext. cable
444-2275	WiSA USB Transmitter, USB ext. cable and gift box (black)



Summit Wireless Technologies, Inc.
 8875 NE Von Neumann Dr., Suite 100
 Hillsboro, OR 97006
 Phone 503 615-7700
 Fax 503 615-4232
 Email info@summitsemi.com

©2014 - 2019 Summit Wireless Technologies, Inc. Specifications are subject to change. All brand and product names are trademarks of their respective companies.