



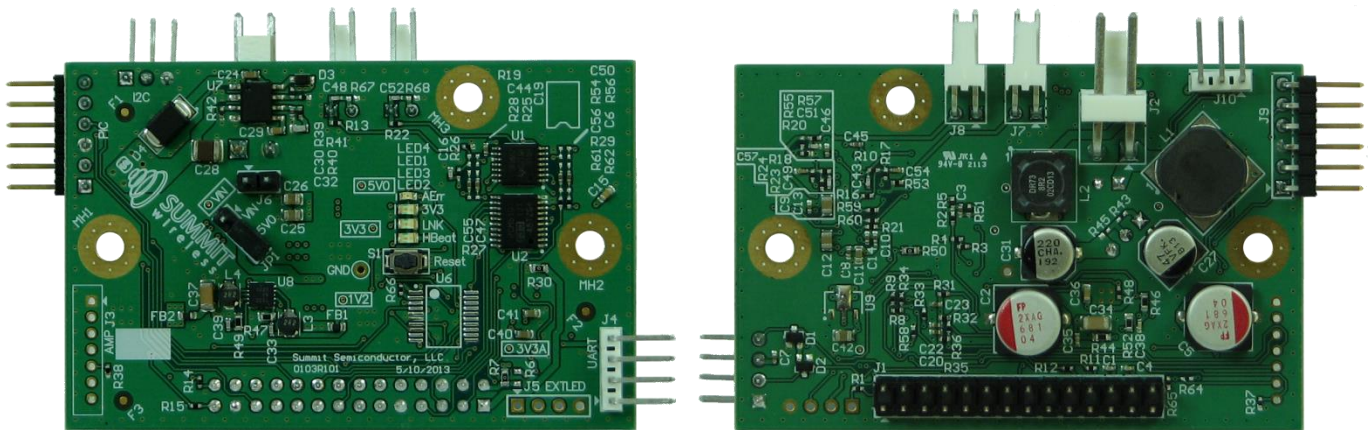
Summit DAC/Line Level Interface

Reference Design

HARDWARE PRODUCT BRIEF

DAC/Line Level Interface Description

The Summit Wireless DAC/Line Level Interface is a compact reference design that adapts a Summit Wireless RX module I²S audio output to any standard power amplifier or powered speaker that accepts line level input. It provides high quality Digital to Analog conversion, 3 V_{RMS} Line Level output, and contains all the necessary power supplies for powering the Summit RX module from a single 5 V to 25 V supply.



Top View

Bottom View

Features

- 3 VRMS Line Level output
- Powered by external DC adapter(5 V to 25 V)
- Generates 1.2 V and 3.3 V supplies required by Summit Wireless RX Module
- Small form factor: 70 mm x 45 mm
- Amplifier I/O control signals: mute, phase invert, amp power enable, amp fault, amp over-temperature warning
- End-user interface signals: Link, Associate, Fault

The DAC interface of the Texas Instruments PCM5101 Stereo DAC provides high-quality analog conversion. An internal charge pump power supply on the DAC provides ground-centered operation, reducing external components needed for DC blocking and mute operation.

Audio Performance

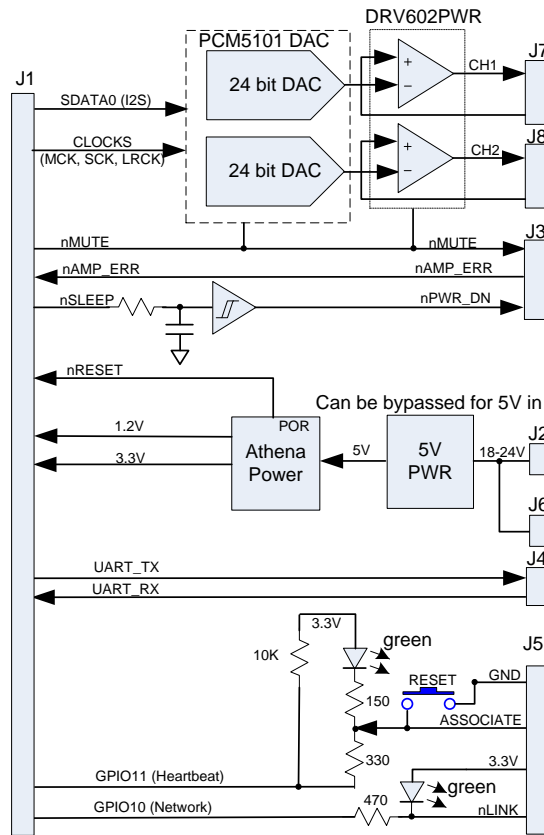
| Parameter | Performance |
|-----------------------|---|
| Audio Sampling Rates | 24 bit audio: 32 kHz, 44.1 kHz, 48 kHz and 96 kHz |
| Power | 5 VDC @ 750 mA input minimum, up to 25 VDC |
| DAC Interface | |
| Signal to Noise Ratio | 106dB |
| Dynamic Range | 106dB |
| THD | -92dB [THD plus Noise is 0.1% @ 1KHz and 20W] |



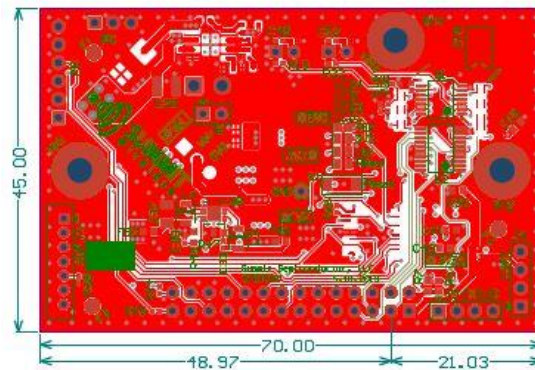
Summit DAC/Line Level Interface

Reference Design

HARDWARE PRODUCT BRIEF



Summit DAC/Line Level Interface Board Block Diagram



Summit DAC/Line Level Interface Board Dimensions

Ordering Information

| SKU | Description |
|----------|---|
| 444-2252 | Summit Wireless DAC/Line Level Interface Reference Design |



Summit Wireless Technologies, Inc.
 8875 NE Von Neumann Dr., Suite 100
 Hillsboro, OR 97006 USA
 Phone 503 615-7700
 Fax 503 615-4232
 Email info@summitsemi.com

©2013-2020, Summit Wireless Technologies, Inc.
 Specifications are subject to change. All brand and product names are trademarks of their respective companies.